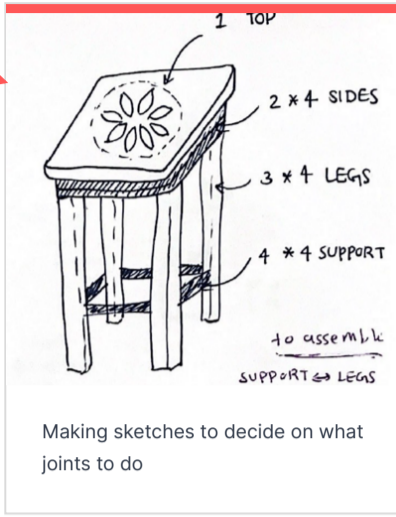


Inspiration

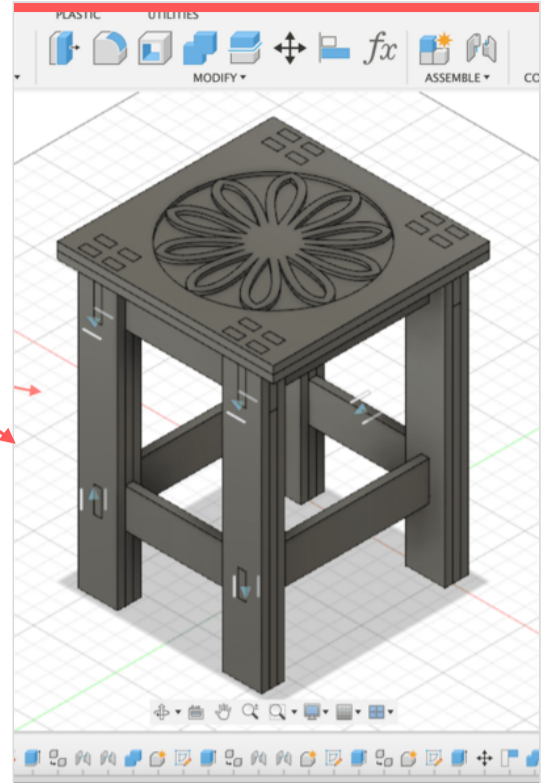


Inspiration from Pinterest

Sketch

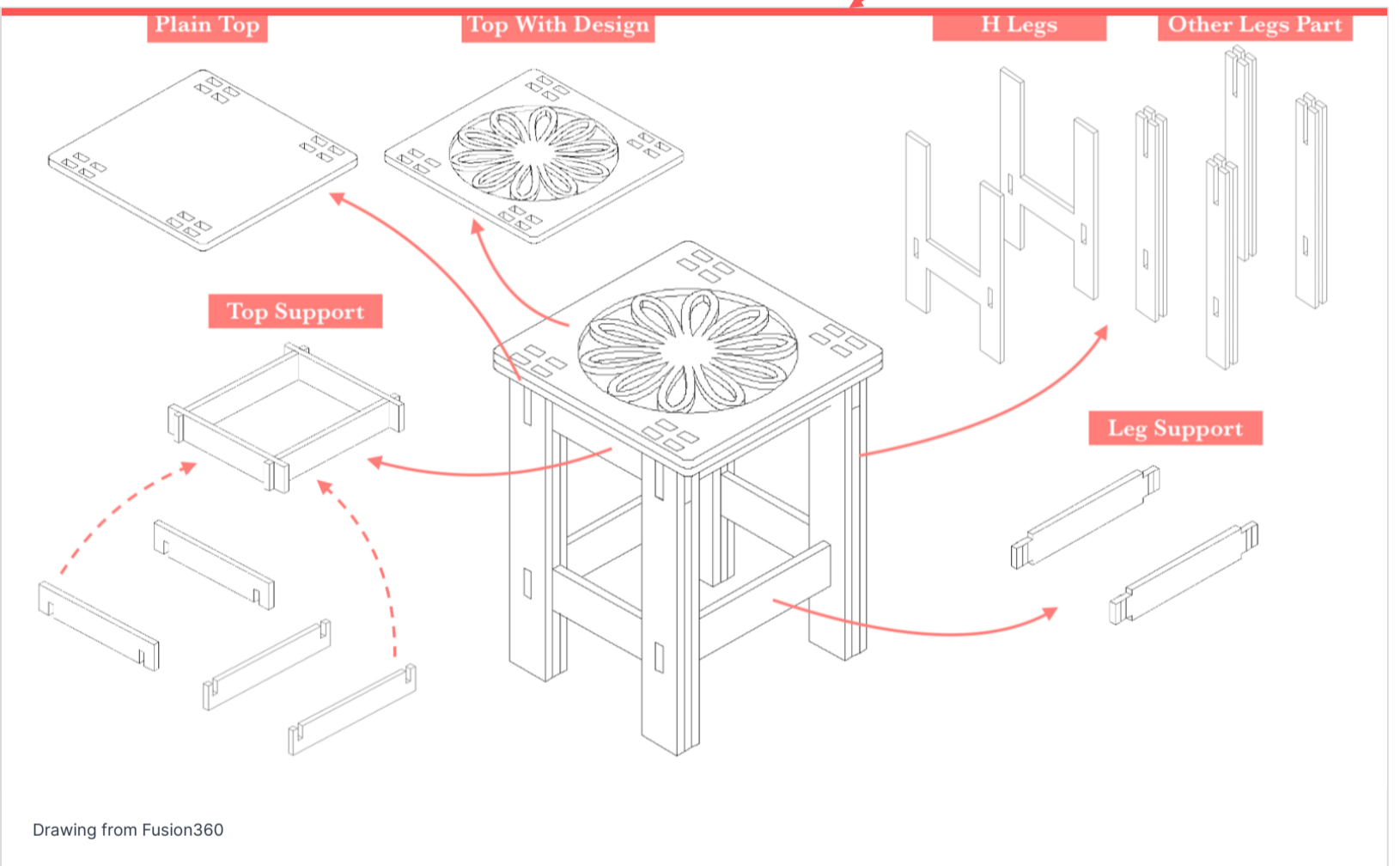


CAD Design



Making the design in Fusion360

CAD Drawings



CNC Cutting



Cutting using CNC machine

Final Product



The final product, after assembling.